

Excelix DG-24128-06 240 x 128 dots STN LED Backlight 1/128 Duty,

MECHANICAL DATA		
Item	Dimension	Unit
Module Size	144.0(W) x 104.0(H) x 15.6(T)	mm
View Area	114.0(W) x 64.0(H)	mm
Dot Size	0.4 x 0.4	mm
Dot Pitch	0.45 x 0.45	mm

ABSOLUTELY MAXIMUM RATINGS

Item	Symbol	Standard Value			Unit
		Min	Typ.	Max.	
Supply Voltage for Logic	$V_{DD} - V_{SS}$	0	--	7.0	V
Supply Voltage for LCD Drive	$V_{DD} - V_{EE}$	0	--	20.0	V
Input Voltage	V_I	V_{SS}	--	V_{DD}	V

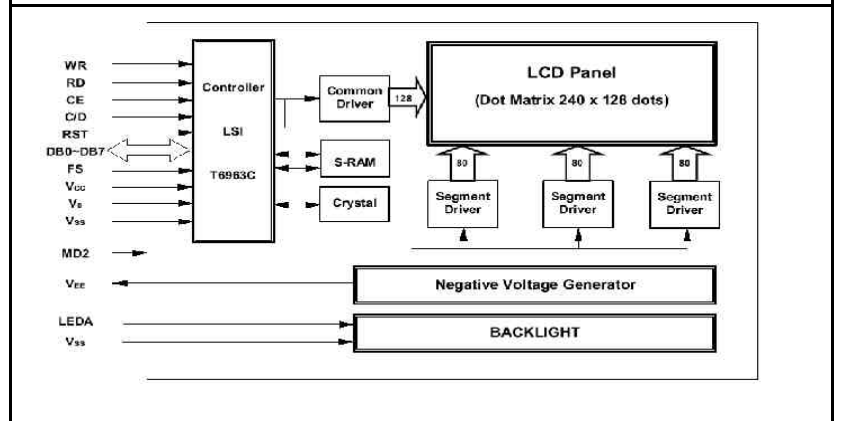
PIN FUNCTIONS

Pin No.	Symbol	Level	Function
1	V _{SS}		Ground Potential (Logic)
2	V _{DD}		Power Supply for Logic & LCD (+)
3	V _{EE}		Power Supply For LCD
4	C/D		Code / Data
5	/RD		Data Read
6	/WR		Data Write
7~14	DB0~DB7		Data Bus Line
15	/CE		Chip Enable
16	/RES		Control Reset
17	VEE		Negative for Selection of Columns
18	MD2		H=32 L=40
19	FS		H=6x8 L=8x8
20	NC		No Connection

ELECTRICAL CHARACTERISTICS

Item	Symbol	Condition	Min.	Typ	Max.	Unit
Logic Driver Circuit Power Supply Voltage	$V_{DD} - V_{SS}$	--	4.75	5.0	5.25	V
LCD Driver Circuit Power Supply Voltage	$V_{DD} - V_{EE}$	0°C	15.3	16.1	16.9	V
		25°C	14.3	15.0	15.8	V
		50°C	13.1	13.8	14.5	V
Input Voltage	V_{IH}	$V_{DD} = 3 \pm 0.25$	$0.7 \times V_{DD}$	--	V_{DD}	V
Input Voltage	V_{IL}	$V_{DD} = 5 \pm 0.25$	0	--	$0.3 \times V_{DD}$	V
Output Voltage	V_{OH}					V
Output Voltage	V_{OL}					V
Input Leakage Current	I_{IJ}					A
Supply Current	I_{DD} I_{EE}	$V_{DD} = 0.5V$	--	12	--	mA
		$V_{DD} = 13.0V$	--	--	TBD	mA

BLOCK DIAGRAM



DIMENSION OUTLINE

